



— IN - LINE —

LEAF CANISTER

USER MANUAL



*Image is of Small Leaf Canister

For more great products visit
www.poolpro.com.au

TECHNICAL SUPPORT

For product support contact your local distributor or Pool Pro directly on:

Pool Pro:

Ph 1800 143 788

Fax 1800 778 820

Email service@poolpro.com.au

Web www.poolpro.com.au

LIMITED WARRANTY

Pool Pro warrants the Pool Pro In-Line Leaf Canister only for the original purchaser and is non-transferable. Pool Pro warrants the Pool Pro In-Line Leaf Canister to be free of manufacturer's defects in materials and workmanship for a total period of twelve (12) months from the date of original purchase for domestic applications only (non-commercial applications on a single-dwelling residential site) excluding moving parts and parts that attract general wear and tear from normal use.

Warranty on the Body and Lid limited to 12 months against manufacturers defects.

Warranty excludes damage caused by negligence, improper use, failure to undertake regular maintenance, lack of care when using the product, incorrect water balancing, incorrect installation, nor does it cover normal wear and tear of the leaf canister's components, corrosive and aggressive climate or location, insect or vermin infestation, lightning strikes, flooding or any other event beyond the control of the manufacturer.

Pool Pro shall not be liable for any loss or damage to any pool surface, structure or component directly or indirectly caused by the Pool Pro In-Line Leaf Canister..

This product is only warranted for its intended use, in domestic swimming pool installations. Water quality must be maintained in accordance with AS 3633-1989 Australian Standard Private Swimming Pools Water Quality. Failure to comply with these standards will void warranty.

The removal and return of the leaf canister to Pool Pro or a Pool Pro authorised nominated repair agent is the responsibility of the purchaser/warranty claimant. Repairs under warranty can only be performed by an authorised nominated Pool Pro repair agent. Proof of purchase must be shown to validate warranty.

Any liability of the manufacturer pursuant to the Trade Practices Act 1974, as amended for a breach of a condition or warranty shall be limited to replacing or acquiring the equipment (or part thereof) where the same has been supplied.

The maximum liability incurred by the manufacturer shall not in any case exceed the contract price for the equipment or the product parts or components thereof claimed to be defective. Further, the manufacturer shall not be liable for any loss, damage or delay directly or indirectly caused by any malfunction of or defect of or failure of the equipment other than as expressly provided in this warranty.

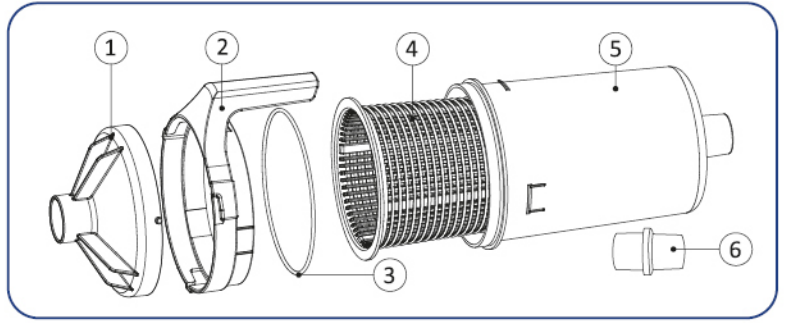
In the unlikely event that you have a problem with any Pool Pro product, simply contact the original place of purchase.

WARRANTY REGISTRATION

Visit www.poolpro.com.au/product-registration to complete your registration form.

PARTS LIST

1. Top Lid
2. Handle Ring
3. O-Ring (Code: OR935)
4. Small Basket (Code: 56LCBS)
4. Large Basket (Code: 56LCBL)
5. Body
6. Swivel Connector (Code: 56LCSC)

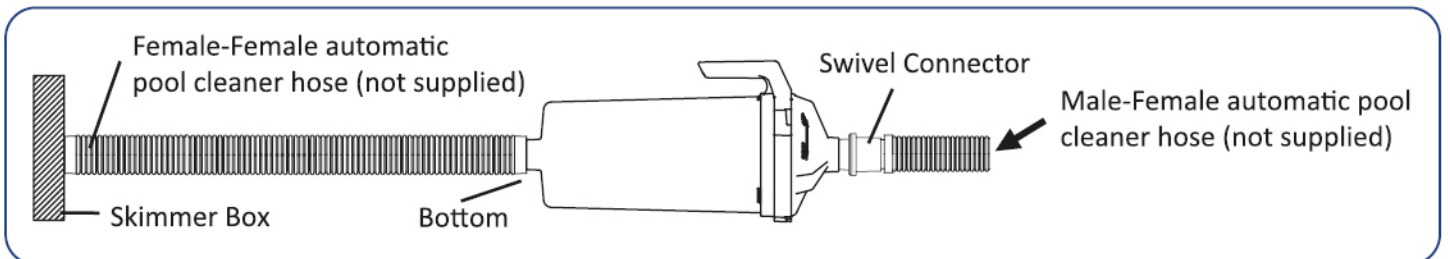


The Pool Pro Leaf Canister has been designed to assist the pool owner and service technician in cleaning pools where leaves, twigs, rocks, etc., are present in the pool. This canister can be used with suction type automatic pool cleaners.

HOW TO USE YOUR LEAF CANISTER

1. Turn off the pool pump.
2. For standard cleaner hoses:
Connect female end of cleaner hose to bottom end of Leaf Canister and connect the other end of the hose to the skimmer or suction fitting.
Submerge the canister to remove any trapped air.

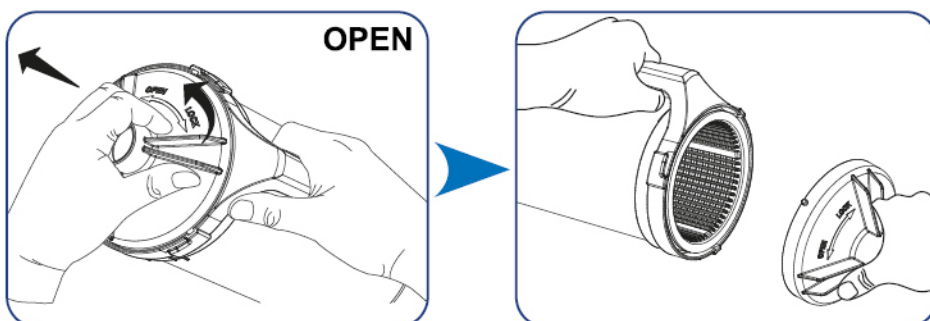
Connect male-female pool cleaner hose to the lid of the leaf canister and connect the remaining end of the hose to the automatic pool cleaner. The canister should be connected between the first and second hose sections from the pool wall.



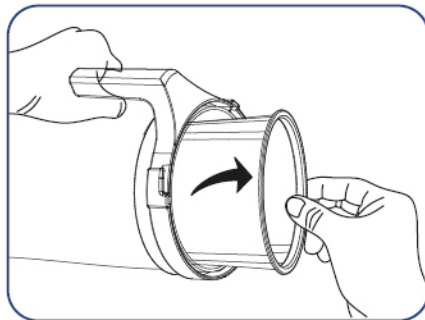
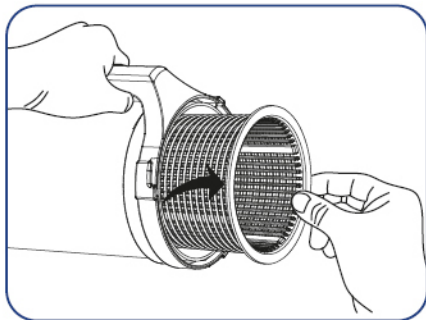
3. Start the pump and follow the procedure for vacuuming the pool.

HOW TO CLEAN THE COLLECTING BASKET

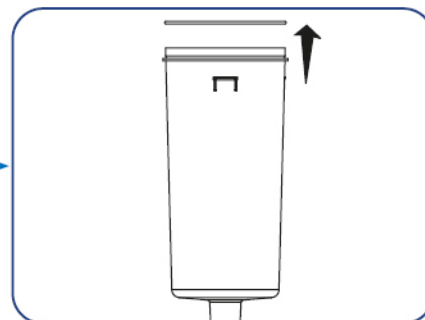
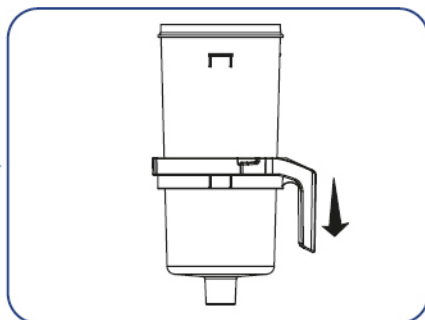
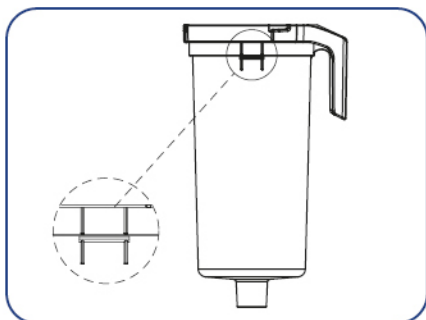
1. Turn off the pump.
2. Disconnect the hoses.
3. Holding the handle, turn the top lid towards the "open" direction to take off the top lid.



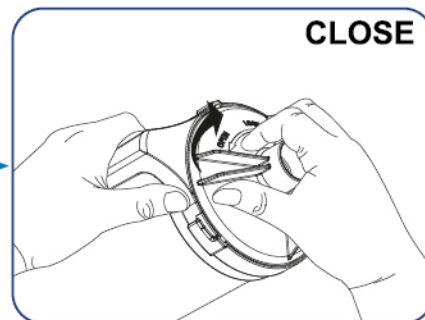
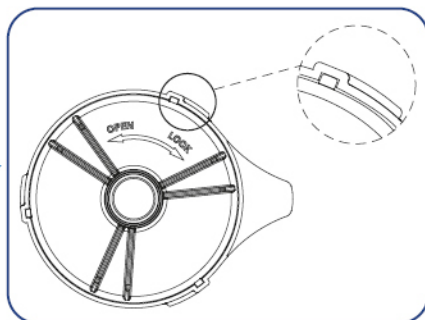
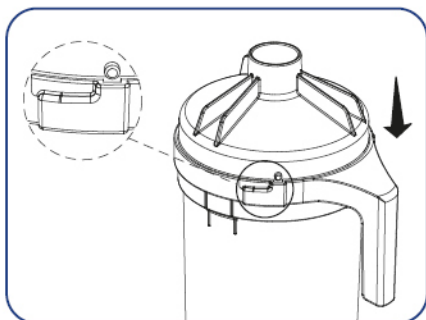
4. Remove the basket from the body, rinse the basket and the canister.



5. Check the O-Ring on the canister body and clean or replace as necessary as shown below. Lubricate with non-petroleum based lubricant if needed.



6. After cleaning the basket, put the basket into the body. Align the three points of the top lid to the three slots of the handle ring and close it towards the “close” direction.



DISCLAIMER

Information in this guide is intended to provide general information on a particular subject(s) in good faith and is not an exhaustive treatment of such subject(s). Its use is beyond the control of the author, contributor, publishers and distributors and should not be relied upon without consulting your local Pool Pro Professional for comprehensive advice. Under no circumstances should this guide be used as a substitute for professional advice.

No representations or warranties are made that the content, advice and recommendations in this guide are current, free from errors or omissions, or appropriate for the user's circumstances or abilities. No liability or responsibility is accepted for any loss suffered as a result of any user's reliance on such content.

Pool Pro reserves the right to refuse warranty if any damage caused to the leaf canister or auxiliary pool equipment that is not a result of a manufacturer's defect.

Pool Pro disclaims any liability for repairs or replacement to any structures or components of the customer's pool. The pool owner must assume all responsibility for the condition and maintenance of the pool surface, water and deck.